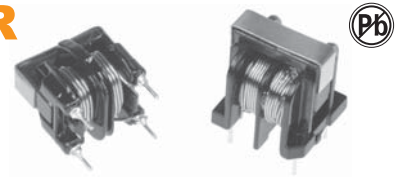


COMMON-MODE FILTER INDUCTOR FAPL10VH&VL SETRIES



FEATURES:

- Rated voltage[V]:85 to 265VAC, 50/60Hz.
- Insulation resistance:100mΩ Min at 500DC.
- Turns ratio:N1:N2=1:1±2%.
- Test Frequency Response:10KHz,100mV.
- Hi-Pot: Pri-Sec:2500VA ac/1mA/60Second.
- Operating temperature range: -40°C to +105 °C.
- Temperature Rise: 40°C Max.
- All parts meet ROHS compliance.

PRODUCT IDENTIFICATION:

PL 10 VH 103 Y 0R5
a b c d e f

- a:Series name
- b:Product dimensions
- c:'VH'Vertical High Size and 'VL'Vertical Low Size
- d:Inductance Value[101:100uH;102:1000uH;103:10000uH]
- e:minimum value
- f:Rated current[0R2:0.2A;1R2;1.2A;10R2:12A]

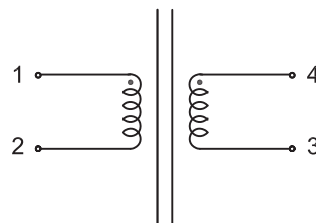
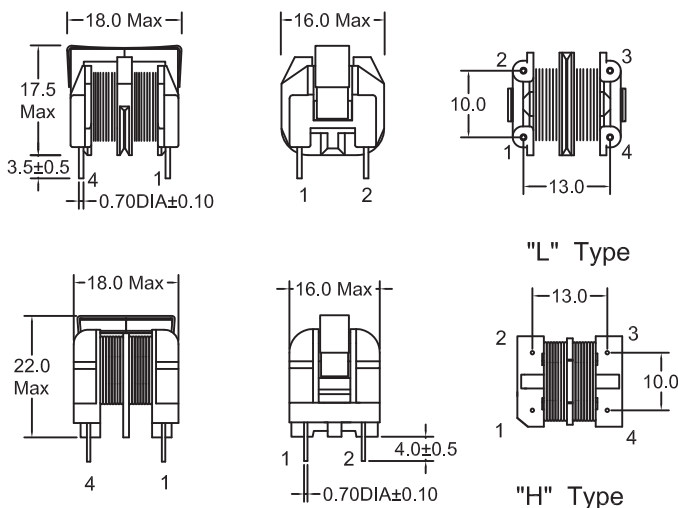
ELECTRICAL CHARACTERISTICS

Part Number	Inductance [mH]Min	D.C.Resistance [Ω] Typ at 20°C	Rated current [mA]
FAPL10VH-433Y0R25	43	3.55	250
FAPL10VH-303Y0R3	30	2.45	300
FAPL10VH-203Y0R35	20	1.80	350
FAPL10VH-153Y0R4	15	1.34	400
FAPL10VH-103Y0R5	10	0.84	500
FAPL10VH-742Y0R6	7.4	0.59	600
FAPL10VH-502Y0R7	5.0	0.41	700
FAPL10VH-352Y0R8	3.5	0.29	800
FAPL10VH-302Y0R9	3.0	0.25	900
FAPL10VH-222Y1R0	2.0	0.19	1000
FAPL10VH-182Y1R2	1.8	0.14	1200
FAPL10VH-152Y1R3	1.5	0.12	1300
FAPL10VH-102Y1R5	1.0	0.087	1500

Part Number	Inductance [mH]Min	D.C.Resistance [Ω] Typ at 20°C	Rated current [mA]
FAPL10VL-433Y0R25	43	3.55	250
FAPL10VL-303Y0R3	30	2.45	300
FAPL10VL-203Y0R35	20	1.80	350
FAPL10VL-153Y0R4	15	1.34	400
FAPL10VL-103Y0R5	10	0.84	500
FAPL10VL-742Y0R6	7.4	0.59	600
FAPL10VL-502Y0R7	5.0	0.41	700
FAPL10VL-352Y0R8	3.5	0.29	800
FAPL10VL-302Y0R9	3.0	0.25	900
FAPL10VL-222Y1R0	2.0	0.19	1000
FAPL10VL-182Y1R2	1.8	0.14	1200
FAPL10VL-152Y1R3	1.5	0.12	1300
FAPL10VL-102Y1R5	1.0	0.087	1500

TECHNICAL INFORMATION

CIRCUIT MAP



Dimensions in mm
Tolerance: .X ±0.50
.XX ±0.25