

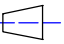


附注:

1. 未注圆角为R0.05-0.2mm;
2. 端子拉力: 1.2KG Min;
3. 最大毛边允许0.05mm;
4. 端子平面度: 0.1mm Max;
5. 产品符合RoHS环保要求;

Code No.: FAY01019

REMARK:		REV.	REVISIONS REC.	DATE:
1.		1.		
2.		2.		
DRAWN BY	Yuing.yu	TOLERANCES		ANGLE: ±1°
CHECKED BY	Yong.zhan	0<L<4 ±0.10 4<L<16 ±0.20 16<L<63 ±0.30 Pin pitch: ±0.2 Wall thickness: ±0.15		MODEL NAME: RM6(4+4 PIN)-2S
APPROVED BY	Xueliang.zhan	UNIT: MM	BOBBIN MATERIAL: PM9630	UL REC. UL 94V-0
 天长市富安电子有限公司 TIAN CHANG FUAN ELECTRONIC CO.,LTD TEL:+86-550-7814888 FAX:+86-550-7831133 Http: www.fuantronics.net		SCALE: 2:1	PIN MATERIAL: CP WIRE	REV. 0
		 	DRAWING NO: SMD-RM-0602	DATE: 2018.12.10