
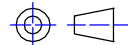


- 1: 产品符合ROHS, REACH
及无卤素之要求。
- 2: 端子电镀:
底层: 镍Ni0.75-2.5 μm
表层: 雾锡Sn3-8 μm

Code No.: FAY01275

| REMARK: | | REV. | REVISIONS REC. | DATE: |
|---|---------------|--|-------------------------------|---------------------------------|
| 1. | | 1. | | |
| 2. | | 2. | | |
| DRAWN BY | Yuing.yu | TOLERANCES | | ANGLE: ±1° |
| CHECKED BY | Yong.zhan | 0<L<4 ±0.10 4<L<16 ±0.20 16<L<63 ±0.30 Pin pitch: ±0.2 Wall thickness: ±0.15 | | MODEL NAME: EP13(5+5 PIN)-2S |
| APPROVED BY | Xueliang.zhan | UNIT: MM | BOBBIN MATERIAL: LCP-E4008 | UL REC. UL 94V-0 |
|  天长市富安电子有限公司 TIAN CHANG FUAN ELECTRONIC CO.,LTD TEL:+86-550-7814888 FAX:+86-550-7831133 Http: www.fuantronics.net | | SCALE: 2:1 | PIN MATERIAL: C5191 | REV. 0 |
| | |  | | DRAWING NO: SMD-EP-1307 |