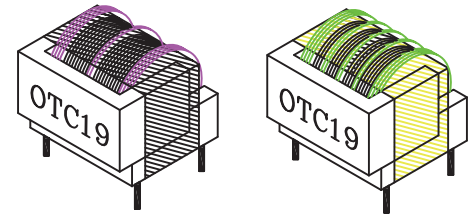


OTC-19 EMI FILTER

FAOTC19H series

FEATURES

Rated Voltage :85 to 265VAC, 50/60Hz.
 Insulation resistance: 100MΩ Min at 500Vdc.
 Turns ratio: N1:N2=1:1±2%.
 Test Frequency Response: 20KHz/0.1V.
 Withstanding Voltage: 1.5KVAC wind to core, line to line.
 Operating temperature range: -40°C to +105°C.
 All parts meet ROHS compliance.



PRODUCT IDENTIFICATION:

FA OTC 19 H - 2 - 452 Y 2R1
 ① ② ③ ④ ⑤ ⑥ ⑦ ⑧

- ①:Fuan Electronics
- ②:Series name
- ③:Product dimensions
- ④:V is to the vertical form, H is to the horizontal form
- ⑤:Trunking
- ⑥:Inductance Value
- ⑦:Minimum Value
- ⑧:Rated current

ELECTRICAL CHARACTERISTICS

REFERENCE RATING(2 GROOVES BOBBIN)

Part Number	Inductance (L)mH Min	D.C.R. mOHM Max.	Rate Current Amp(ac)REF	Wire DIA.φ (mm)
FAOTC19H-2-452Y2R1	4.5	90	2.10	0.60
FAOTC19H-2-802Y1R7	8.0	130	1.70	0.55
FAOTC19H-2-103Y1R4	10.0	170	1.40	0.50
FAOTC19H-2-173Y1R2	17.0	280	1.20	0.45
FAOTC19H-2-283Y0R9	28.0	450	0.90	0.40

REFERENCE RATING(4 GROOVES BOBBIN)

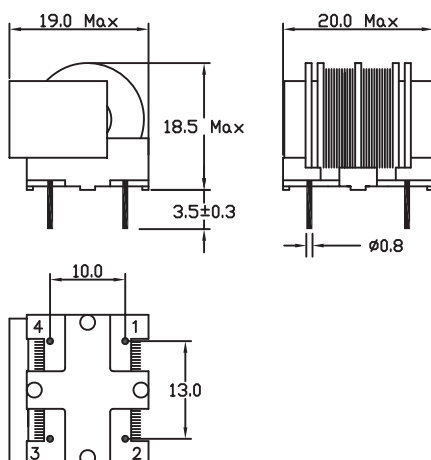
Part Number	Inductance (L)mH Min	D.C.R. mOHM Max.	Rate Current Amp(ac)REF	Wire DIA.φ (mm)
FAOTC19H-4-502Y1R4	5.0	140	1.40	0.50
FAOTC19H-4-902Y1R2	9.0	210	1.20	0.45
FAOTC19H-4-163Y0R9	16.0	370	0.90	0.40
FAOTC19H-4-283Y0R7	28.0	640	0.70	0.35
FAOTC19H-4-503Y0R5	50.0	1100	0.50	0.30

Special or custom-made specification is available by request

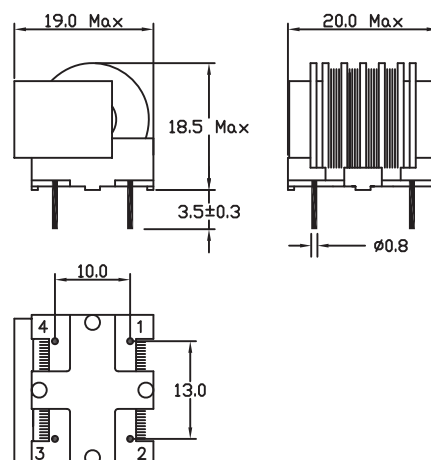
TECHNICAL INFORMATION

DIMENSION IN mm

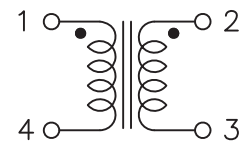
2 GROOVES BOBBIN:



4 GROOVES BOBBIN:



PHYSICAL CHARACTERISTICS



TOLERANCE

0 < L < 2	±0.2
2 < L < 12	±0.4
12 < L < 48	±0.6
Pin Pitch	±0.5
Pin Diameter	±0.2