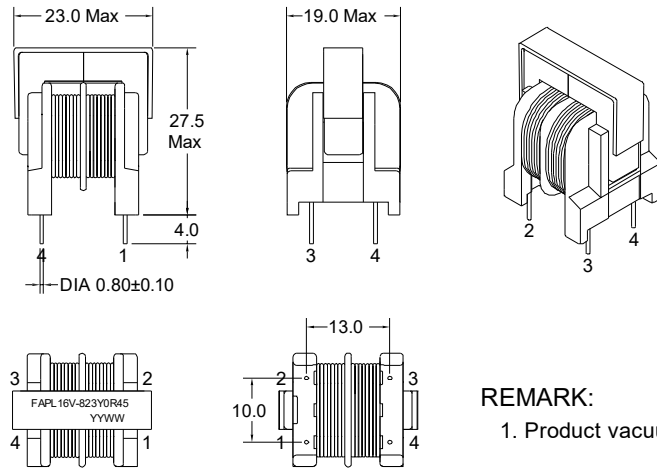


P/N: FAPL16V-823Y0R45

ROHS

Outline Dimensions (Unit:mm)



REMARK:
1. Product vacuum impregnation.

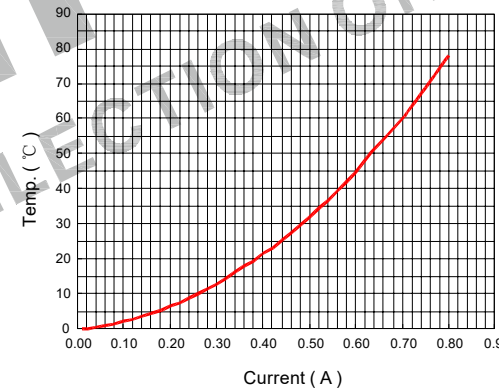
Electrical Characteristics

Inductance : 82.0mH Min,at 10KHz,0.1V.
 Rated current : 0.45Amps.
 D.C.Resistance : 2.70 ohms Max.
 Turns Ratio : Wdg1:Wdg2=1:1±1%,at 20KHz,1V.
 Hipot : Coil-Coil : 1500VAC/3mA/2S.

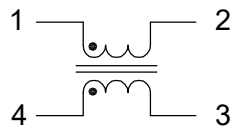
General Properties:

Operating Temperature:-40°C to +125°C
 (Temperature rise included).
 Storage Temperature:-25°C to +85°C.
 Storage Humidity:RH10%~70%.
 Weight: ≈20.0g

Current VS Temp.(Simulation test).

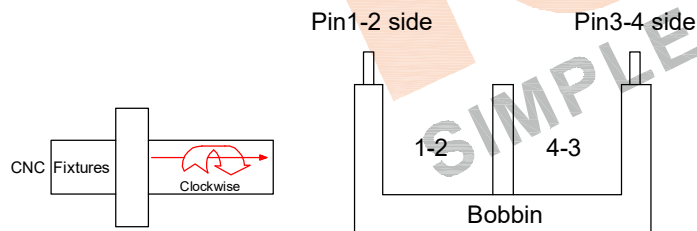


Electronical Schematic



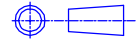
"•" Polarity point

Winding Construction:



List of UL Certificate:

No.	Part Name	Mat'l Description	Supplier	UL Number
1	Bobbin	UU-1601-1 /T375J	Chang Chun Plastics Co Ltd	E59481
2	Copper wire	2UEW-F/155C	Dong Guan YiDa Industrial Co Ltd	E344055
3	Core	UU16-H10K	Fuan	N/A
4	Clip	UU16/SUS301	Chuangshun Hardware Electronic Factory	N/A
5	Varnish	T-4260(a)/MW80-C	SuZhou TaiHu Electric Advanced Material Co Ltd	E228349

				Tianchang Fuan Electronic Co Ltd www.fuantronics.net TEL: +86-550-7814888 FAX: +86-550-7831133		 Tolerances unless otherwise specified: (X)±0.50 (XX)±0.25 Unit of measurement: mm		Make: <i>Jinze</i> Checked: <i>BenSon</i> Approved: <i>AmSon</i>		DRAWING TITLE UU16 COMMON-CODE FILTER INDUCTOR Material Number: A24PL16XA060		Customer P/N: Document/Rev: 2201055/00 Specification Sheet: 1 of 1 Date of Recognition: Jan./02/2021	
REV	DESCRIPTION	APPD	DATE										