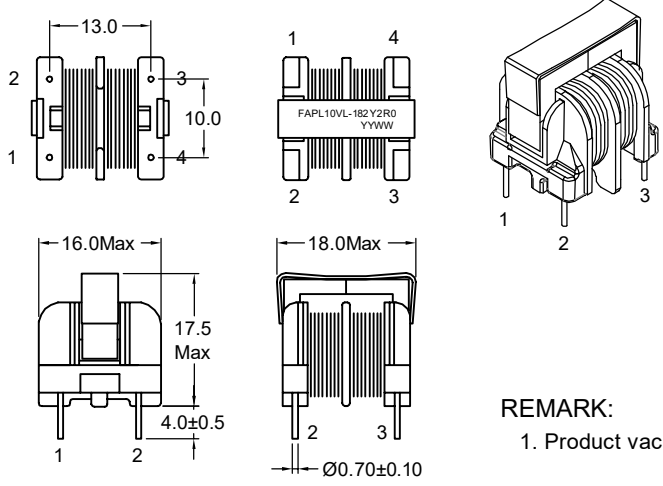


P/N: FAPL10VL-182Y2R0

ROHS

Outline Dimensions (Unit:mm)



REMARK:
1. Product vacuum impregnation.

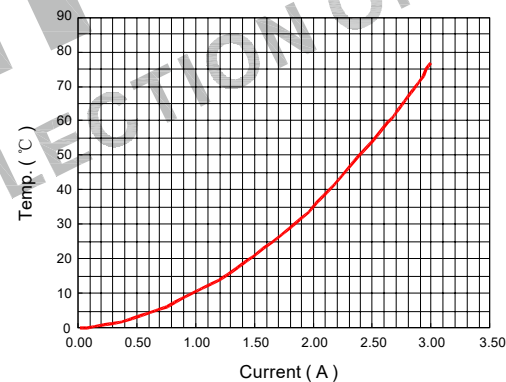
Electrical Characteristics

Inductance : 1.80mH Min,at 10KHz,0.1V.
Rated current : 2.0Amps.
D.C.Resistance : 0.12 ohms Max.
Turns Ratio : Wdg1:Wdg2=1:1±1%,at 20KHz,1V.
Hipot : Coil-Coil : 1500VAC/3mA/2S.

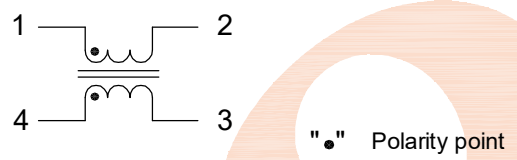
General Properties:

Operating Temperature:-40°C to +125°C
(Temperature rise included).
Storage Temperature:-25°C to +85°C.
Storage Humidity:RH10%~70%.
Weight: ≈9.0g

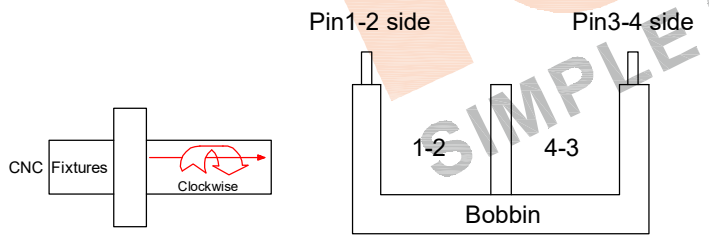
Current VS Temp.(Simulation test)



Electronical Schematic

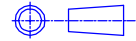


Winding Construction:



List of UL Certificate:

No.	Part Name	Mat'l Description	Supplier	UL Number
1	Bobbin	UU-1051-1/T375J	Chang Chun Plastics Co Ltd	E59481
2	Copper wire	2UEW-F/155C	Dong Guan YiDa Industrial Co Ltd	E344055
3	Core	UU10.5-H10K	Fuan	N/A
4	Clip	UU10.5/SUS301	Chuangshun Hardware Electronic Factory	N/A
5	Varnish	T-4260(a)/MW80-C	SuZhou TaiHu Electric Advanced Material Co Ltd	E228349

				<p>Tianchang Fuan Electronic Co Ltd www.fuantronics.net TEL: +86-550-7814888 FAX: +86-550-7831133</p>		 Tolerances unless otherwise specified: (X)±0.50 (XX)±0.25 Unit of measurement: mm		Make: <i>Jun</i> Checked: <i>BenSan</i> Approved: <i>AmSan</i>		<p>DRAWING TITLE UU10.5 COMMON-CODE FILTER INDUCTOR</p> Material Number: A24PL10XA390		Customer P/N: Document/Rev: 2201077/00 Specification Sheet: 1 of 1 Date of Recognition: Jan./02/2021	
REV	DESCRIPTION	APPD	DATE										