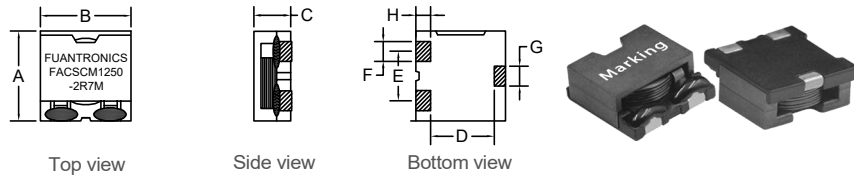


P/N: FACSCM1250-2R7M

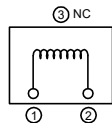


Outline Dimensions(Unit:mm)

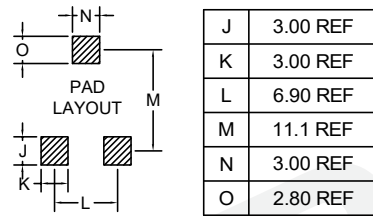


|     | A     | B     | C    | D    | E    | F       | G    | H    |
|-----|-------|-------|------|------|------|---------|------|------|
| Max | ±0.40 | ±0.30 | REF  | REF  |      | REF     | REF  |      |
|     | 13.5  | 12.5  | 5.00 | 9.00 | 6.90 | 2.0-2.6 | 2.60 | 2.00 |

Electronical Schematic



Suggested Pad layout



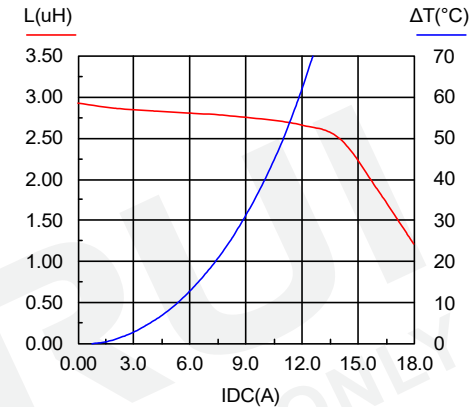
- \*\*\*Magnetic shielded structure: excellent resistance to electro magnetic interferenc(EMI).
- \*\*\*Assemblage design, sturdy structure.
- \*\*\*Small volume, high current, low magnetic loss, low ESR, small parasitic capacitance.
- \*\*\*Temperature rise current and saturation current is less influenced by environment.

Electrical Characteristics(@25°C)

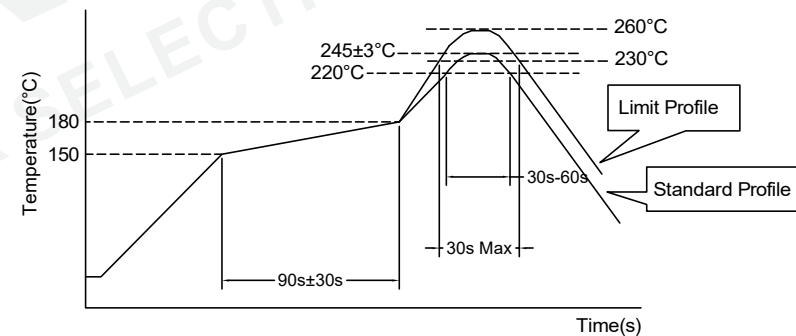
| Inductance<br>100KHz,0.1V | DC Resistor | Saturated<br>current<br>14A | Temperature<br>rise current<br>10A |
|---------------------------|-------------|-----------------------------|------------------------------------|
| 2.70uH±20%                | 7.20mΩ Max  | L(14A)=80%*L0A Typ          | T≤40°C Typ                         |

- \*\*\*Saturation current: the actual value of DC current when the inductance decrease 20% of its initial value.
- \*\*\*Temperature rise current: the actual value of DC current when the temperature rise is ΔT40°C(Ta=25°C).
- \*\*\*Operating Temperature: -40°C~+125°C.  
(Temperature rise included)
- \*\*\*Storage Temperature: -40°C~+125°C.
- \*\*\*Storage Humidity:RH10%~70%.

Saturation current VS temperature rise current curve:



Recommended Soldering Temperature Graph.



|                  | Standard Profile    | Standard Profile    |
|------------------|---------------------|---------------------|
| Pre-heating      | 150~180°C,90s±30s   |                     |
| Heating          | above 220°C,30s-60s | above 240°C,30s Max |
| Peak temperature | 245°C±3°C           | 260°C,10s           |
| Cycle of reflow  | 2 times             | 2 times             |

|     |             |      |      |   |   |   |  |  |
|-----|-------------|------|------|---|---|---|--|--|
| REV | DESCRIPTION | APPD | DATE | Tianchang Fuan Electronic Co Ltd<br>www.fuantronics.net<br>TEL: +86-550-7814888<br>FAX: +86-550-7831133 | Tolerances unless otherwise specified:<br>(X)±0.50 (XX)±0.25<br>Unit of measurement: mm | Make: Qiumei.Liu<br>Checked: Beson. zhan<br>Approved: Anson. zhan | <b>DRAWING TITLE</b><br>HIGH CURRENT<br>POWER INDUCTORS<br>Material Number: A341250XS130 | Customer Name:<br>Document/Rev: 00<br>Specification Sheet: 1 of 1<br>Date of Recognition: Jan./02/2020 |
|     |             |      |      |   |   |   |  |  |
|     |             |      |      |   |   |   |  |  |