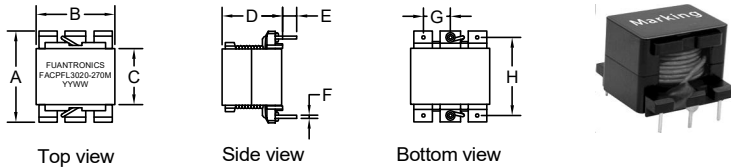


P/N: FACPFL3020-270M

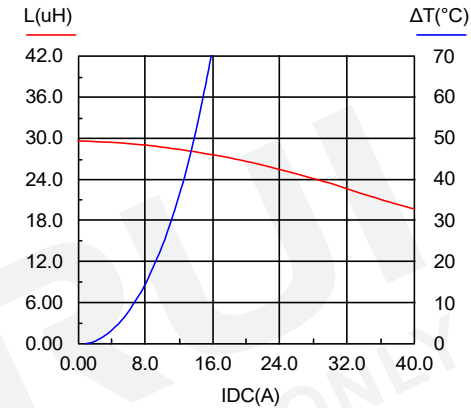


Outline Dimensions(Unit:mm)

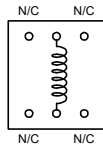


| | A | B | C | D | E | F | G | H |
|-----|-------|-------|-------|-------|-------|-------|-------|-------|
| Max | ±0.50 | ±0.50 | ±0.50 | ±0.50 | ±0.50 | ±0.20 | ±0.50 | ±1.00 |
| | 32.0 | 26.7 | 19.0 | 20.5 | 5.00 | Ø1.00 | 9.10 | 26.6 |

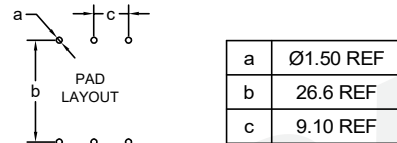
Saturation current VS temperature rise current curve:



Electronical Schematic

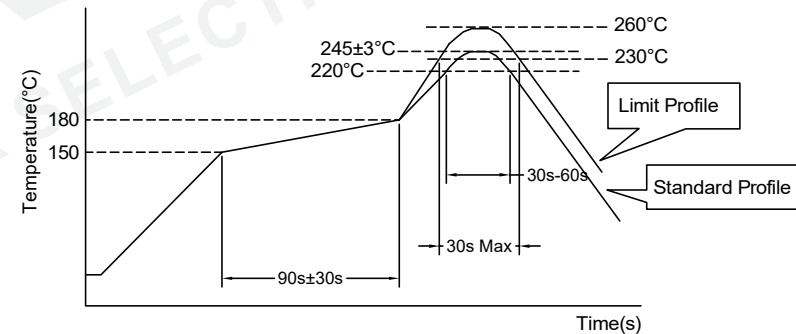


Suggested Pad layout



- ***Assemblage design, sturdy structure.
- ***High inductance, high current, low magnetic loss, low ESR, small parasitic capacitance.
- ***Litz wire winding, effectively reduce skin effect.
- ***Temperature rise current and saturation current is less influenced by environment.

Recommended Soldering Temperature Graph.



Electrical Characteristics(@25°C)

| Inductance 100KHz,0.1V | DC Resistor | Saturated current 23.5A | Temperature rise current 12.5A |
|---------------------------|-------------|-------------------------------|--------------------------------------|
| 27.0uH±20% | 26.2mΩ Max | L(23.5A)=70%*L0A Typ | T≤50°C Typ |

- ***Saturation current: the actual value of DC current when the inductance decrease 30% of its initial value.
- ***Temperature rise current: the actual value of DC current when the temperature rise is ΔT50°C(Ta=25°C).
- ***Operating Temperature: -40°C~+125°C (Temperature rise included)
- ***Storage Temperature: -40°C~+125°C
- ***Storage Humidity:RH10%~70%.

| | Standard Profile | Standard Profile |
|------------------|---------------------|---------------------|
| Pre-heating | 150~180°C,90s±30s | |
| Heating | above 220°C,30s-60s | above 240°C,30s Max |
| Peak temperature | 245°C±3°C | 260°C,10s |
| Cycle of reflow | 2 times | 2 times |

| | | | | | | | | |
|-----|-------------|------|------|---|---|-----------------------|---|-----------------------------------|
| REV | DESCRIPTION | APPD | DATE | Tianchang Fuan Electronic Co Ltd www.fuantronics.net TEL: +86-550-7814888 FAX: +86-550-7831133 | Tolerances unless otherwise specified: (.X)±0.50 (.XX)±0.25 Unit of measurement: mm | Make: Qiumei.Liu | DRAWING TITLE HIGH CURRENT POWER INDUCTORS | Customer Name: |
| | | | | | | Checked: Beson. zhan | | Material Number: A343020XS040 |
| | | | | | | Approved: Anson. zhan | | Specification Sheet: 1 of 1 |
| | | | | | | | | Date of Recognition: Jan./02/2020 |