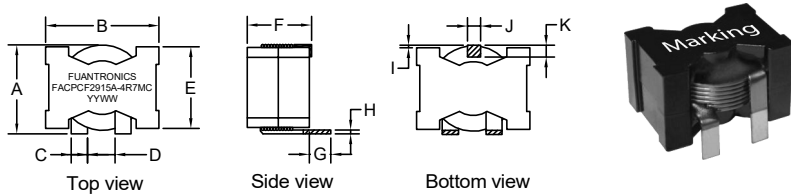


P/N: FACPCF2915A-4R7MC

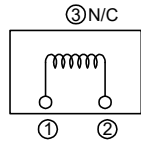


Outline Dimensions(Unit:mm)

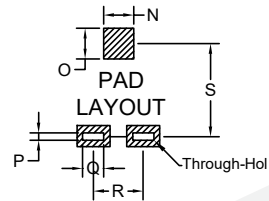


| A | B | C | D | E | F | G | H | I | J | K |
|------|------|-------|-------|------|------|-------|-------|------|------|------|
| Max | Max | ±0.30 | ±0.50 | Max | Max | ±0.50 | ±0.20 | REF | REF | REF |
| 23.0 | 27.9 | 3.80 | 6.63 | 19.7 | 15.4 | 5.00 | 0.80 | 0.50 | 3.00 | 2.50 |

Electronical Schematic



Suggested Pad layout



| | |
|---|-----------|
| N | 6.00 REF |
| O | 5.50 REF |
| P | 1.40 REF |
| Q | 5.50 REF |
| R | 10.4 REF |
| S | 19.35 REF |

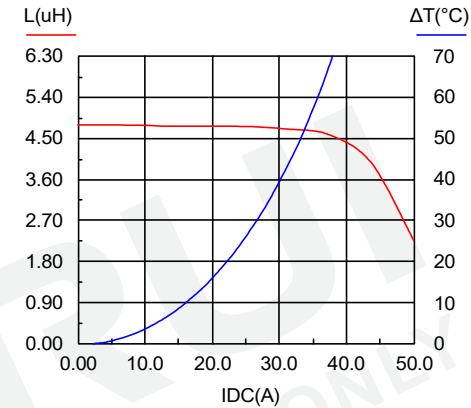
- ***Assemblage design, sturdy structure.
- ***High inductance, high current, low magnetic loss, low ESR, small parasitic capacitance.
- ***Flat wire winding, achieve a low D.C. Resistance.
- ***Temperature rise current and saturation current is less influenced by environment.

Electrical Characteristics(@25°C)

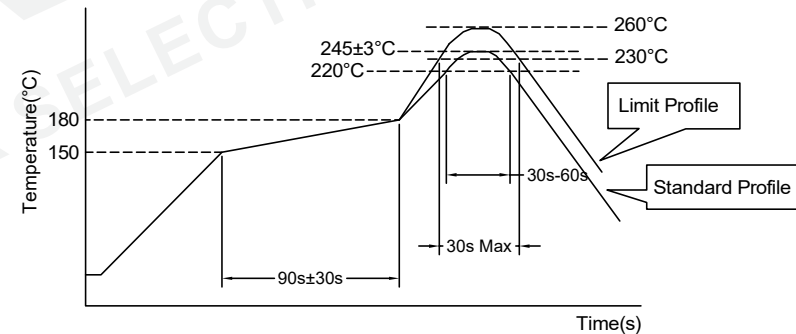
| Inductance 100KHz,0.1V | DC Resistor | Saturated current 36.9A | Temperature rise current 30A |
|---------------------------|-------------|-------------------------------|------------------------------------|
| 4.70uH±20% | 2.10mΩ Max | L(36.9A)=80%*L0A Typ | T≤40°C Typ |

- ***Saturation current: the actual value of DC current when the inductance decrease 20% of its initial value.
- ***Temperature rise current: the actual value of DC current when the temperature rise is ΔT40°C(Ta=25°C).
- ***Operating Temperature: -40°C~+125°C (Temperature rise included)
- ***Storage Temperature: -40°C~+125°C
- ***Storage Humidity:RH10%~70%.

Saturation current VS temperature rise current curve:



Recommended Soldering Temperature Graph.



| | Standard Profile | Standard Profile |
|------------------|---------------------|---------------------|
| Pre-heating | 150~180°C,90s±30s | |
| Heating | above 220°C,30s-60s | above 240°C,30s Max |
| Peak temperature | 245°C±3°C | 260°C,10s |
| Cycle of reflow | 2 times | 2 times |

| | | | | | | | | |
|-----|-------------|------|------|---|---|----------------------|--|------------------|
| REV | DESCRIPTION | APPD | DATE | Tianchang Fuan Electronic Co Ltd www.fuantronics.net TEL: +86-550-7814888 FAX: +86-550-7831133 | Tolerances unless otherwise specified: (.X)±0.50 (.XX)±0.25 Unit of measurement: mm | Make: Qiumei.Liu | DRAWING TITLE HIGH CURRENT POWER INDUCTORS Material Number: A342915AS030 | Customer Name: |
| | | | | | | Checked: Beson. zhan | | Document/Rev: 00 |
| | | | | Approved: Anson. zhan | Specification Sheet: 1 of 1 | | | |

Date of Recognition: Jan./02/2020