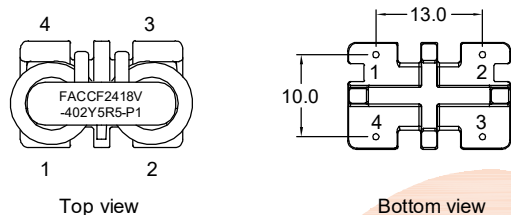
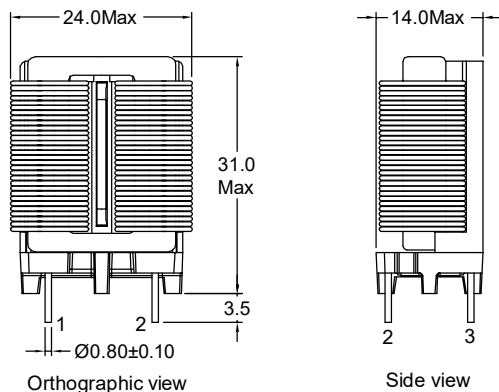
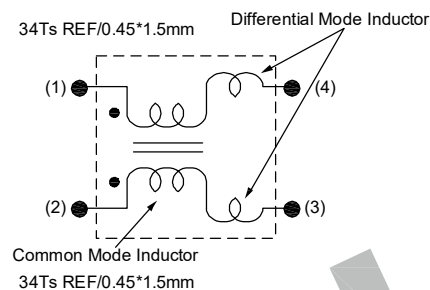


P/N: FACCF2418V-402Y5R5-P1

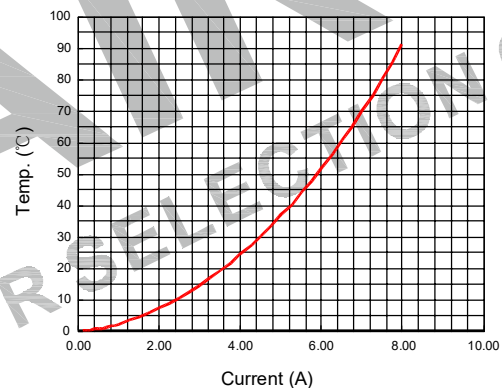
### Outline Dimensions(Unit:mm)



### Electronical Schematic



### Simulation test curve:



### Electrical Characteristics(at 25°C)

Inductance : 4.0mH Min,at 1KHz,0.25V.  
 Lstray: Lkg=50.0uH typ,at 1KHz,0.25V.  
 Inductance balance : L1-L2= 200uH Max,at 1KHz,0.25V.  
 D.C.Resistance: 35.0 mohms Max.  
 Rated current: 5.50Amps.  
 Turns Ratio : 1:1±0Ts,at 20KHz,1V.  
 Hipot : Pri-Sec : 1500VAC/5mA/2Second.

### List of UL Certificate:

| Part Name           | Mat'l Description | Supplier   | UL Number |
|---------------------|-------------------|--|-----------|
| Bobbin              | SQ2418/T375HF     | Chang Chun Plastics Co Ltd                       | E59481    |
| Copper wire         | SFT-UEW-H         | Ningbo Jintian New Material Co Ltd               | E227047   |
| Core                | SQ2418-H10K       | Shangdong HenRui Magnet Technology Co.,Ltd       | N/A       |
| Epoxy<br>or Varnish | YZ-HC-1401C       | YouZhi Electronic(DongGuan)Co.,Ltd               | N/A       |
|                     | T4260LZ           | Suzhou Taihu Electric Advanced Material Co., Ltd | E228349   |

\*\*\*Weight:Approx 20.8g.

Tianchang Fuan Electronic Co Ltd  
 www.fuantronics.net  
 TEL: +86-550-7814888  
 FAX: +86-550-7831133



Tolerances unless otherwise specified:  
 (.X)±0.50    (.XX)±0.25  
 Unit of measurement: mm

Make: *Jinle*  
 Checked: *BenSon*  
 Approved: *AnSan*

**DRAWING TITLE**  
 CCF2418V Current-compensated  
 frame core double chokes

Material Number:

Customer P/N:  
 Document/Rev: 2206115/00  
 Specification Sheet: 1 of 1  
 Date of Recognition: Jun./22/2022

| REV | DESCRIPTION | APPD | DATE |
|-----|-------------|------|------|
|     |             |      |      |