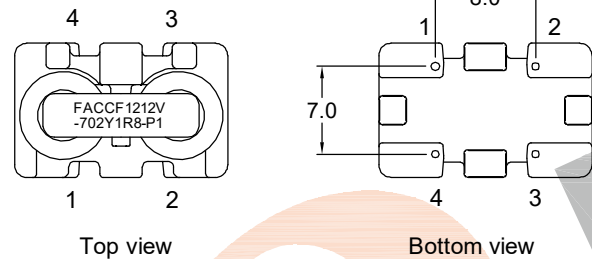
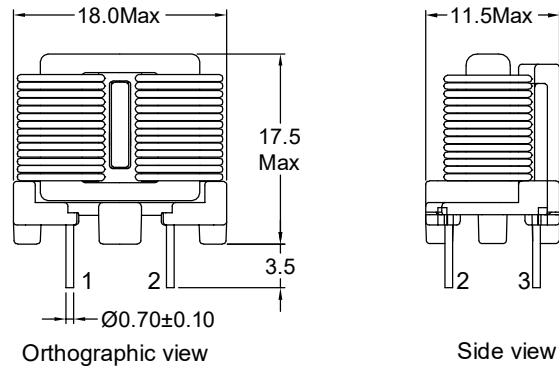
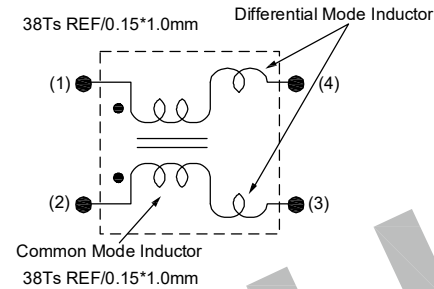


P/N: FACCF1212V-702Y1R8-P1

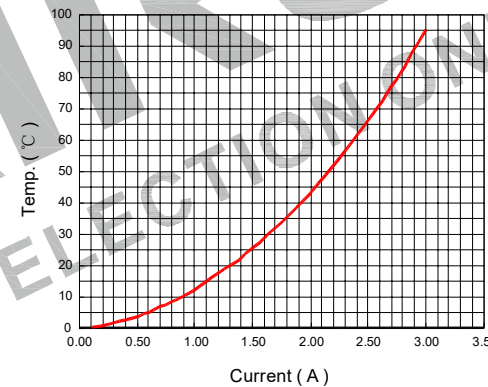
Outline Dimensions(Unit:mm)



Electronical Schematic:



Current VS Temp.(Simulation test).



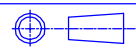
Electrical Characteristics(at 25°C)

Inductance : 7.0mH Min,at 1KHz,0.25V.
 Inductance balance : L1-L2= 200uH Max,at 1KHz,0.25V.
 Lstray: Lkg=52.0uH typ,at 1KHz,0.25V.
 Rated current: 1.8Amps.
 D.C.Resistance : 115 mohms Max.
 Turns Ratio : Wdg1;Wdg2= 1:1±2%,at 20KHz,1V.
 Hipot : Pri-Sec : 1500VAC/1mA/2Second.

List of UL Certificate:

| Part Name | Mat'l Description | Supplier | UL Number |
|------------------|-------------------|--|-----------|
| Base | SQ1212/T375HF | Chang Chun Plastics Co Ltd | E59481 |
| Copper wire | SFT-UEW-H | Ningbo Jintian New Material Co Ltd | E227047 |
| Core | SQ12/12-H12K | ShanDong HengRui Magnet Technology Co Ltd | N/A |
| Epoxy or Varnish | YZ-HC-1401C | YouZhi Electronic(DongGuan)Co.,Ltd | N/A |
| | T4260LZ | Suzhou Taihu Electric Advanced Material Co., Ltd | E228349 |

***Weight:Approx 5.4g.

| | | | | | | | | | | | | | |
|-----|-------------|------|------|---|--|--|--|---|--|---|--|--|--|
| | | | | Tianchang Fuan Electronic Co Ltd www.fuantronics.net TEL: +86-550-7814888 FAX: +86-550-7831133 | |  Tolerances unless otherwise specified: (X)±0.50 (XX)±0.25 Unit of measurement: mm | | Drawn: <i>Jinze</i> Checked: <i>BenSon</i> Approved: <i>AmSon</i> | | DRAWING TITLE CCF1212V Current-compensated frame core double chokes Material Number: | | Customer P/N: Document/Rev: 2207080/00 Specification Sheet: 1 of 1 Date of Recognition: July./12/2022 | |
| REV | DESCRIPTION | APPD | DATE | | | | | | | | | | |