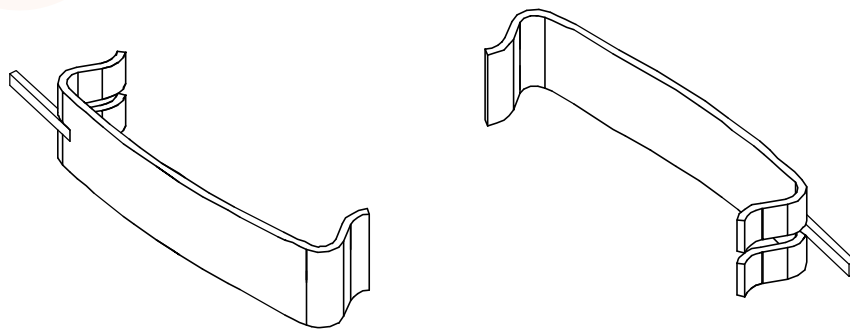
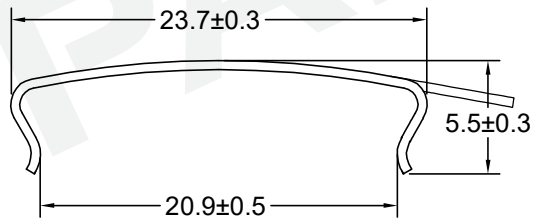
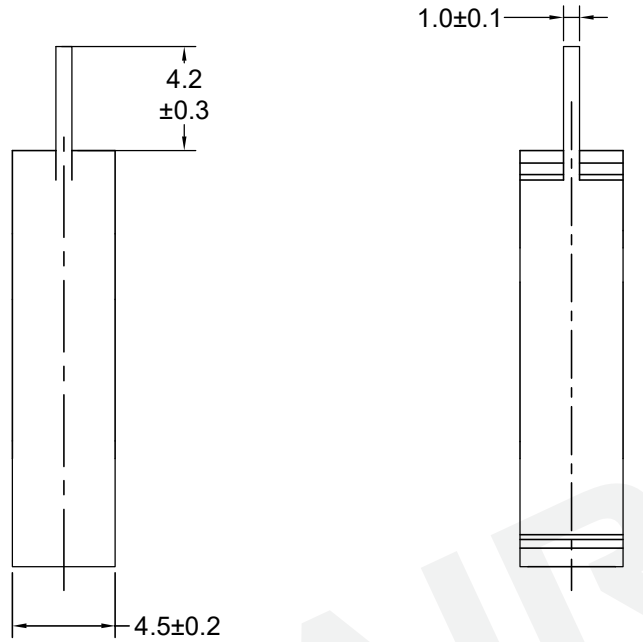


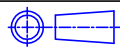
MOUNTING CLIP

DRAWING NO:RM-12-1



Tolerances unless otherwise specified:  
 0<L≤4±0.10 4<L≤16±0.20  
 16<L≤45±0.30 45≤L±0.40  
 Wall thickness:0.40±0.05 Angle: ±1°

Dimensions:  
(mm)



REMARK

|                    |                         |
|--------------------|-------------------------|
| Mould No.:         | Clip Material: SK7 0.4T |
| Code No.: FAY01045 | UL Recognition:         |



**Fuan Electronics**  
 TEL :0086-514-87693589  
 EML :sales@fuantronics.net  
 WEB:www.fuantronics.net

|                       |                                   |
|-----------------------|-----------------------------------|
| Make: P.Xiao          | Material Number: 223RM1200000     |
| Checked: Beson. zhan  | Document/Rev: 00                  |
| Approved: Anson. zhan | Date of Recognition: Dec./09/2019 |