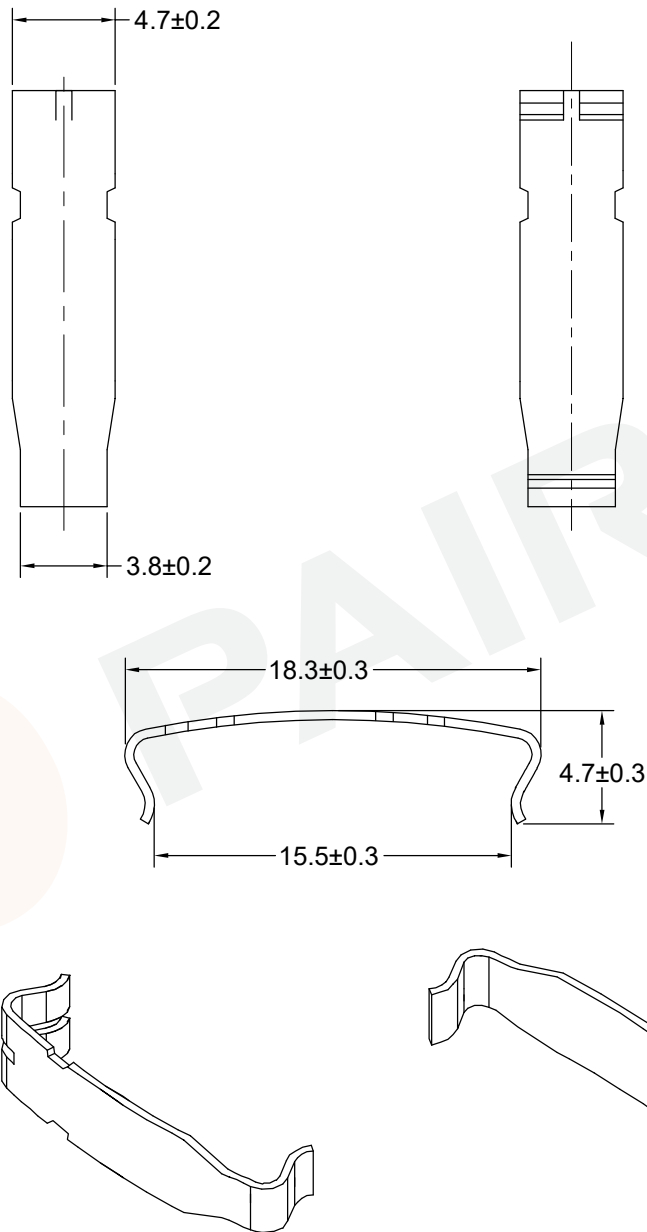


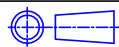
MOUNTING CLIP

DRAWING NO:RM-10-1



Tolerances unless otherwise specified:
 $0 < L \leq 4 \pm 0.10$ $4 < L \leq 16 \pm 0.20$
 $16 < L \leq 45 \pm 0.30$ $45 \leq L \pm 0.40$
 Wall thickness: 0.40 ± 0.05 Angle: $\pm 1^\circ$

Dimensions:
(mm)



REMARK

| | |
|-----------------------|-----------------------------------|
| Mould No.: | Clip Material: SK7 0.4T |
| Code No.: :FAY01045 | UL Recognition: |
| Make: P.Xiao | Material Number: 223RM1000100 |
| Checked: Beson. zhan | Document/Rev: 00 |
| Approved: Anson. zhan | Date of Recognition: Dec./09/2019 |



Fuan Electronics
 TEL :0086-514-87693589
 EML :sales@fuantronics.net
 WEB:www.fuantronics.net