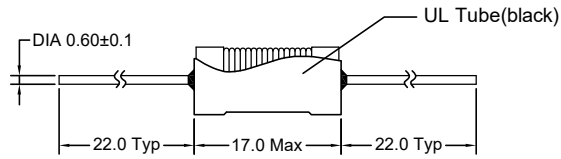


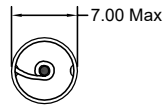
P/N: FALCHA0617-330K



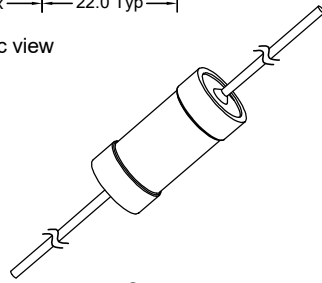
Outline Dimensions(Unit:mm)



Orthographic view



Top view

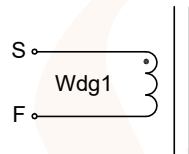


Stereogram

REMARK:

1. Products need thermal shrinkable sleeve.

Electrical Schematic



Electrical Characteristics(@25°C)

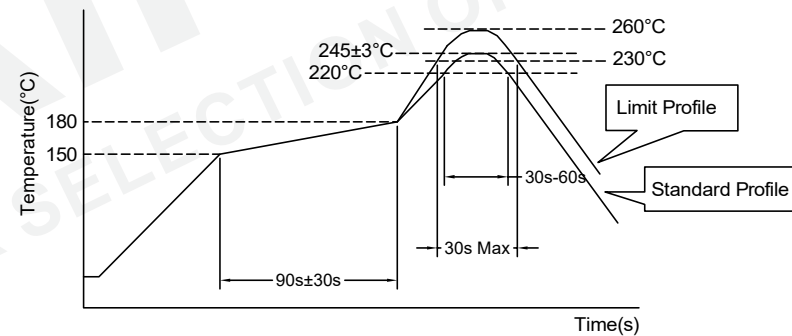
| Inductance<br>1KHz,0.25V<br>S-F | DC Resistor<br>S-F | Rated Current |
|---------------------------------|--------------------|---------------|
| 33.0uH±10%                      | 0.075Ω Max         | 1000mA        |

- \*\*\*Operating Temperature: -40°C~+125°C.  
(Temperature rise included)
- \*\*\*Storage Temperature : -40°C~+125°C.
- \*\*\*Storage Humidity:RH10%~70%.

Material list

| Part Name   | SPEC                | Material Type | Supplier                                      | UL Number |
|-------------|---------------------|---------------|---|-----------|
| Core        | DRWW6*13<br>(B=2.5) | NiZn          | Zhongshan Jiaxin Electronic Co Ltd            | N/A       |
| Copper Wire | 2UEW-F              | 155°C         | Elektrisola Hangzhou Co Ltd                   | E258243   |
| Tube        | RSFR-H/600V         | 125°C         | ShenZhen Woer Heat-shrinkable Material Co Ltd | E203950   |

Recommended Soldering Temperature Graph.



|                  | Standard Profile    | Standard Profile    |
|------------------|---------------------|---------------------|
| Pre-heating      | 150~180°C,90s±30s   |                     |
| Heating          | above 220°C,30s-60s | above 240°C,30s Max |
| Peak temperature | 245°C±3°C           | 260°C,10s           |
| Cycle of reflow  | 2 times             |                     |

|     |             |      |      |   |   |   |   |  |
|-----|-------------|------|------|---|---|---|---|--|
| REV | DESCRIPTION | APPD | DATE | Tianchang Fuan Electronic Co Ltd<br>www.fuantronics.net<br>TEL: +86-550-7814888<br>FAX: +86-550-7831133 | <br>Tolerances unless otherwise specified:<br>(.X)±0.50 (.XX)±0.25<br>Unit of measurement: mm | Make: Qiumei.Liu<br>Checked: Beson. zhan<br>Approved: Anson. zhan | <b>DRAWING TITLE</b><br>DRWW6*13 RADIAL FILTER CHOKE<br>Material Number: A330617XS110 | Customer Name:   |
|     |             |      |      |   |   |   |   | Document/Rev: 00<br>Specification Sheet: 1 of 1<br>Date of Recognition: Mar./23/2020 |