

# SWITCHING TRANSFORMERS FAETD SERIES



## FEATURES

Centre section of the core is round easily design high-powerswitch transformers  
Low leakage

## OPTIONS

Bulk packaging is standard  
Custom design available

## COMMON APPLICATIONS

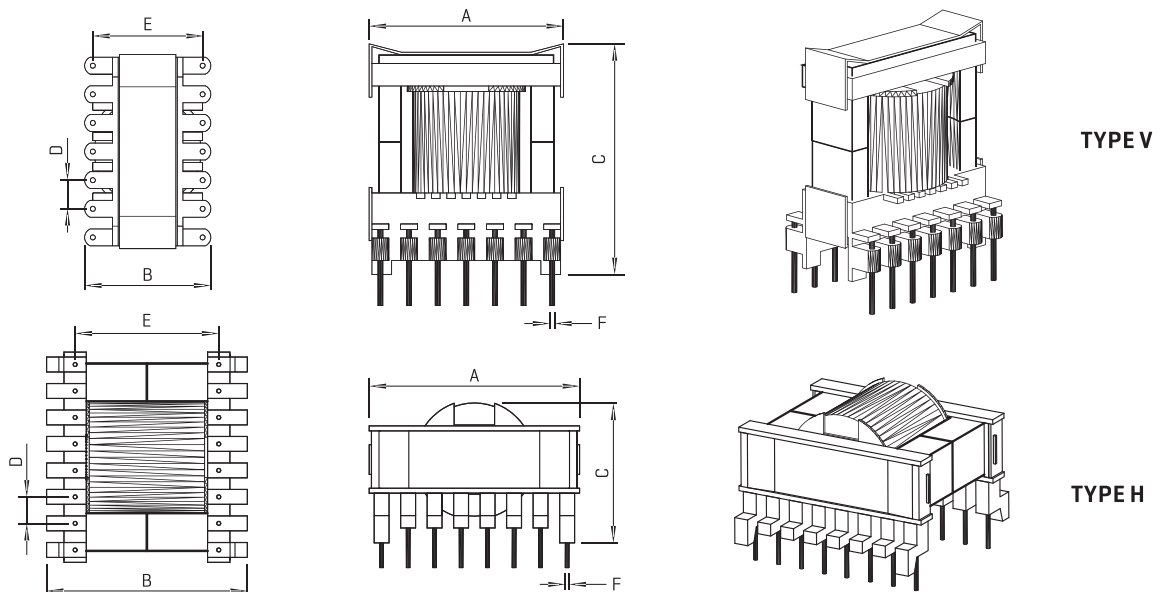
Drive transformers  
Main transformers  
Smoothing chokes  
General purpose use

## ELECTRICAL CHARACTERISTICS

Part Number	Type	No. of Terminal pins	Dimensions(mm)						Max. output [VA]
			Max A	Max B	Max C	±0.3 D	±0.5 E	±0.1 F	
FAETD 24-A	V	12	36.5	25.0	38.0	5.08	17.8	1.1	110
FAETD 29-A	H	14	36.0	36.0	25.5	5.0	25.6	0.8	170
FAETD 29-B	H	13	37.0	37.0	27.0	5.0	25.8	0.8	170
FAETD 29-C	V	12	42.0	24.5	43.0	5.08	20.32	0.8	170
FAETD 34-A	V	12	34.5	30.0	37.0	5.0	25.5	1.0	270
FAETD 34-B	H	14	41.0	41.0	27.0	5.0	25.5	2.0	270
FAETD 34-C	V	14	39.0	28.0	45.0	5.0	22.9	1.0	270
FAETD 39-A	V	16	46.0	30.5	49.6	5.0	25.4	1.0	380
FAETD 39-B	H	16	45.0	45.0	36.0	5.0	30.2	1.0	380
FAETD 44-A	H	18	50.0	51.0	40.0	5.0	35.8	1.0	520
FAETD 44-B	V	18	46.0	33.0	51.0	5.0	27.5	1.0	520
FAETD 49-A	V	22	55.0	37.0	55.0	5.0	27.5	1.0	680
FAETD 49-B	H	20	56.0	55.0	41.0	5.0	40.4	1.0	680
FAETD 54-A	H	22	61.0	60.0	47.0	5.0	44.8	1.0	750
FAETD 59-A	H	24	68.0	68.0	52.5	5.0	51.0	1.0	900

Note: The output power is only for forward model and the frequency at 100kHz

## PHYSICAL CHARACTERISTICS



ALL DIMENSIONS IN MM