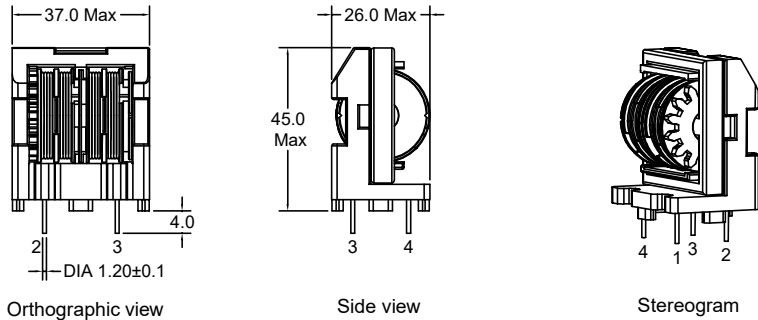


P/N: FACM35V-333Y1R5



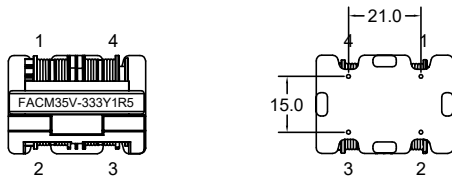
Outline Dimensions (Unit:mm)



Orthographic view

Side view

Stereogram

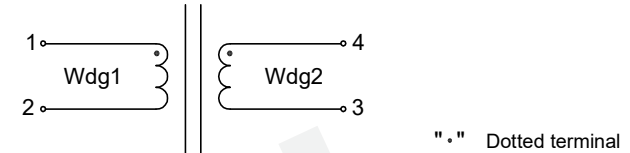


Top view

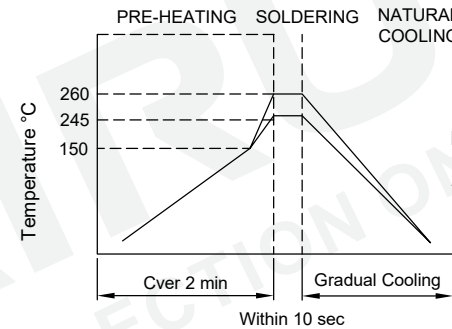
Bottom view

REMARK:
1. Product vacuum impregnation.

Electrical Schematic



Wave Soldering



Note:
1. Never Contact the ceramic with the iron tip;
2. 1.0mm tip diameter(max).

Electrical Characteristics

Inductance : L1-2=4-3= 33.0mH Min,at 10KHz,0.1V.
D.C.Resistance : 1-2= 0.420 ohms Max.
4-3= 0.420 ohms Max.
Rated Current : 1.50A
Turns Ratio : Wdg1:Wdg2=1:1±1%,at 20KHz,1V.
Hipot : Coil-Coil : 1500VAC/3mA/2S.

General Properties:

Operating Temperature:-40°C to +105°C
(Temperature rise included).
Storage Temperature:-25°C to +85°C.
Storage Humidity:RH10%~70%.
Weight:≈65.0g.

List of UL Certificate:

| No. | Part Name | Mat'l Description | Supplier | UL Number |
|-----|-------------|-------------------|--|-----------|
| 1 | Bobbin | ET35-4S/PBT | Chang Chun Plastics Co Ltd | E59481 |
| | | | | |
| 2 | Base | ET35/T375J | Chang Chun Plastics Co Ltd | E59481 |
| | | | | |
| 3 | Copper wire | 2UEW-F/155C | Dong Guan YiDa Industrial Co Ltd | E344055 |
| | | 2UEW-F/155C | Elektrisola Hangzhou Co Ltd | E258243 |
| 4 | Core | ET35 TS10 | TDG Holding Co Ltd | N/A |
| | | ET35 GH10 | Su Zhou Guanda Magnet Co Ltd | N/A |
| 5 | Varnish | T-4260(a)/MW80-C | SuZhou TaiHu Electric Advanced Material Co Ltd | E228349 |
| | | | | |

| | | | | | | | | | | | | | |
|-----|-------------|------|------|---|--|---|--|---|--|---|--|---|--|
| | | | | Tianchang Fuan Electronic Co Ltd www.fuantronics.net TEL: +86-550-7814888 FAX: +86-550-7831133 | | Tolerances unless otherwise specified: (X)±0.50 (XX)±0.25 Unit of measurement: mm | | Make: Qiumei.Liu Checked: Beson. zhan Approved: Anson. zhan | | DRAWING TITLE ET35V COMMON-CODE FILTER INDUCTOR Material Number: A24CM35VS000 | | Customer P/N: Document/Rev: 00 Specification Sheet: 1 of 1 Date of Recognition: Mar./13/2020 | |
| REV | DESCRIPTION | APPD | DATE | | | | | | | | | | |