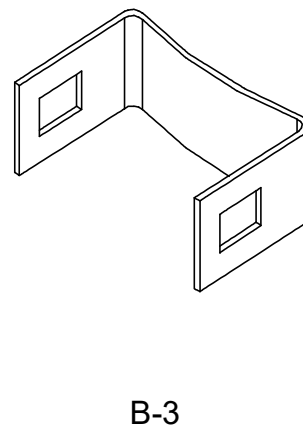
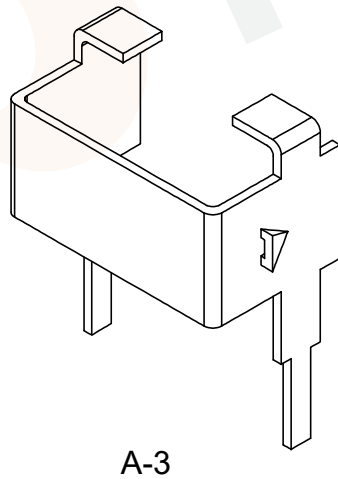
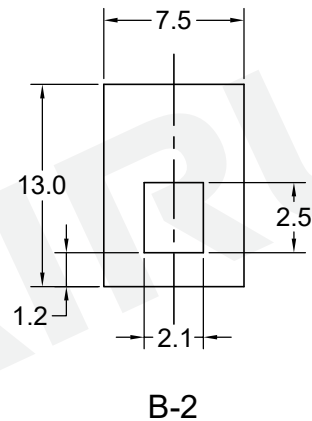
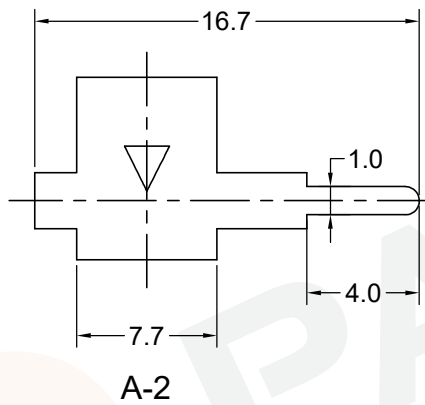
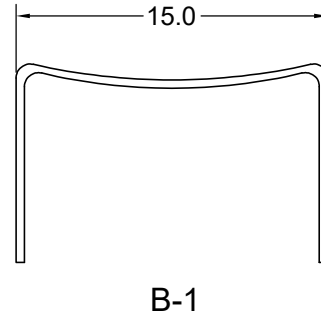
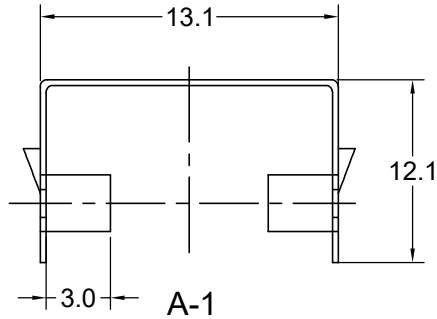


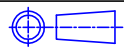
MOUNTING CLIP

DRAWING NO:EP-13



Tolerances unless otherwise specified:
 0<L≤4±0.10 4<L≤16±0.20
 16<L≤45±0.30 45≤L±0.40
 Wall thickness:0.30±0.05/0.40±0.05 Angle:±1°

Dimensions:
(mm)



REMARK

Mould No.:	Clip Material: SK7 A=0.3T B=0.4T
Code No.: FAY01045	UL Recognition:



Fuan Electronics
 TEL :0086-514-87693589
 EML :sales@fuantronics.net
 WEB:www.fuantronics.net

Make: P.Xiao	Material Number: 223EP1300000
Checked: Beson. zhan	Document/Rev: 00
Approved: Anson. zhan	Date of Recognition: Dec./09/2019