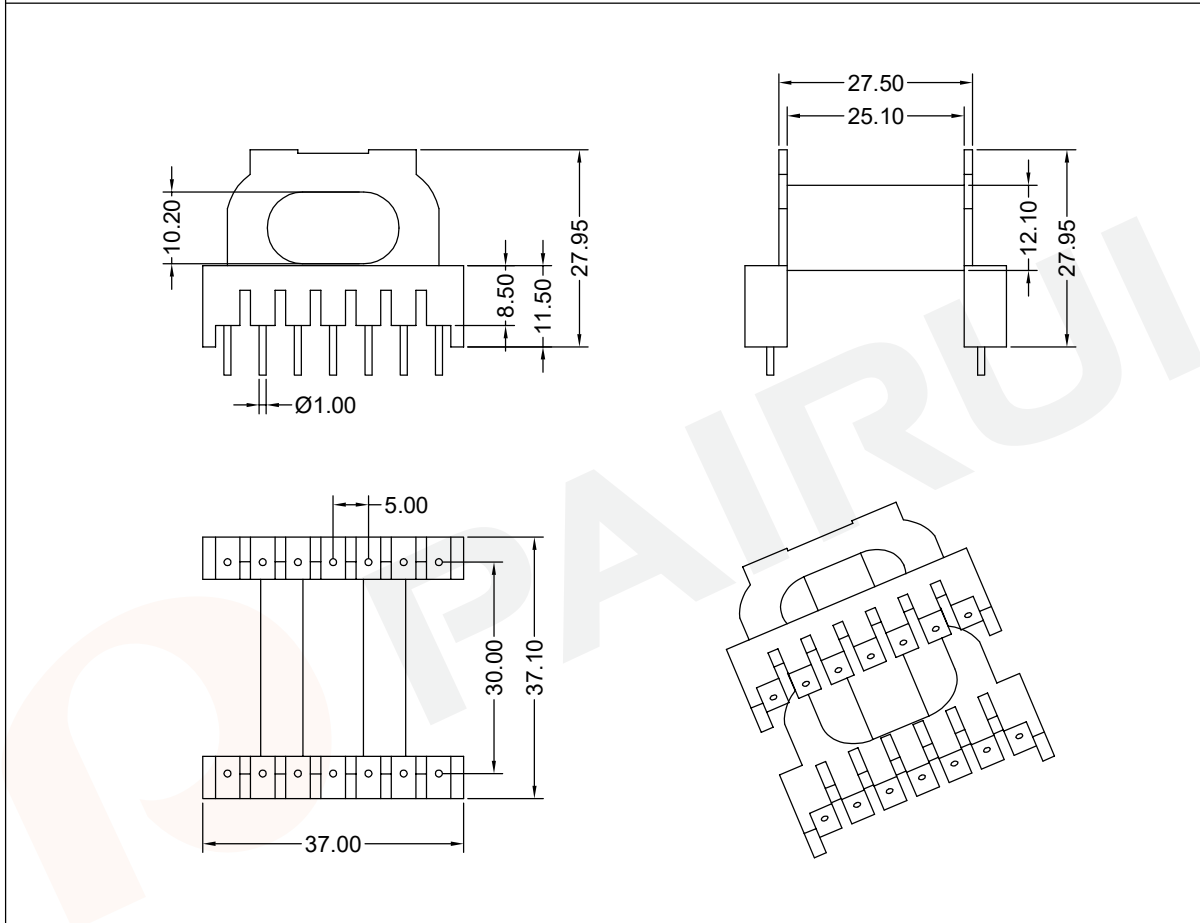


**COIL FORMER**

General data 14-pins EPC39 coil former

PARAMETER	SPECIFICATION
Coil former material	phenolformaldehyde (PF), glass-reinforced, flame retardant in accordance with "UL 94V-0"; UL file number E59481
Pin material	copper-tin alloy (CuSn), tin (Sn) plated
Maximum operating temperature	180°C, "IEC 60085", class H
Resistance to soldering heat	"IEC 60068-2-20", Part 2, Test Tb, method 1B, 350 °C, 3.5 s
Soldeerability	"IEC 60068-2-20", Part 2, Test Ta, method 1



Winding data and area product for 14-pins EPC39 coil former

NUMBER OF SECTIONS	WINDING AREA (mm <sup>2</sup> )	MINIMUM WINDING WIDTH (mm)	AVERAGE LENGTH OF TURN (mm)	AREA PRODUCT Ae x Aw (mm <sup>4</sup> )	TYPE NUMBER
1	118	25.10	93	18370	EPC-3901-1S-14P

--	--	--	--	--	--

Tolerances unless otherwise specified: 0<L≤4±0.10    4<L≤16±0.20 16<L≤45±0.30    45≤L±0.40 Pin Dim:±0.05    Thickness:±0.20    Pin Pitch:±0.20	Dimensions: (mm)	REMARK			
		Mould No.: EPC3901 Code No.: FAY01091	Bobbin material: T378J Available for Fuan core: EPC39 Material Number: A45390100100		
<b>Fuan Electronics</b> TEL :0086-514-87693589 EML :sales@fuantronics.net WEB:www.fuantronics.net	Make: P.Xiao	Document/Rev: 00			
	Checked: Beson. zhan	Date of Recognition: Oct./18/2019			
	Approved: Anson. zhan				