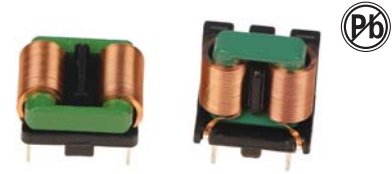


FRAME CORE CHOKES FACCF19V&H SERIES



FEATURES:

Small size, Low leakage flux due to 0 SQ core.
Low stray capacitance, High attenuation of a wide frequency band.
There is no danger of the layer short for the single-layer rolling.
High attenuation to the normal mode noise.
Winding time 90% down.
High inductance was achieved by the ferrite mixing and the baking technology that developed originally.

SPECIFICATION:

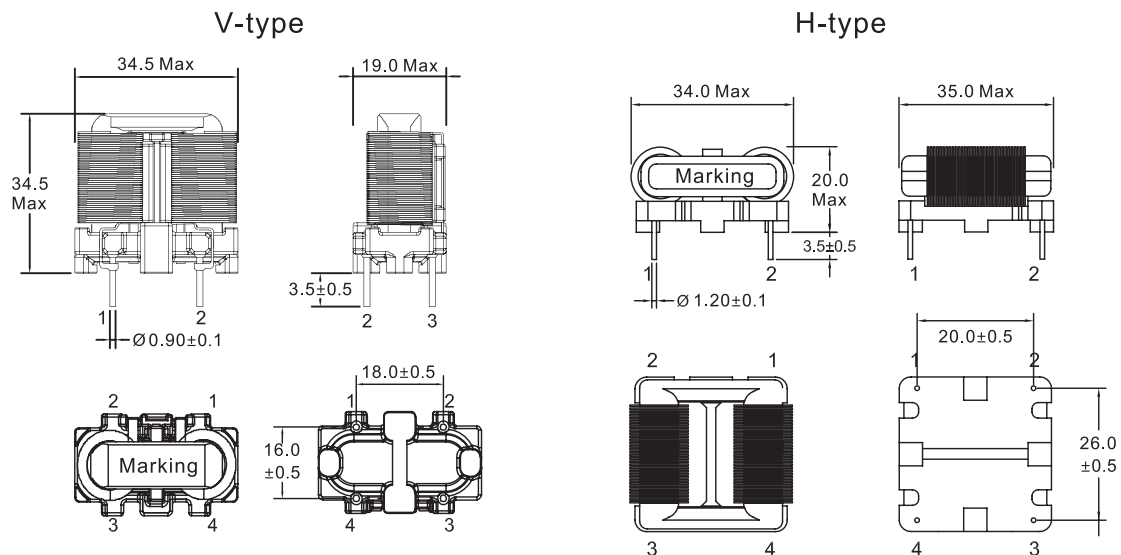
Rated Voltage: AC/DC 250V.
Operating Temperature Range: -40°C~120°C
Withstanding Voltage: AC 2000V 60sec or AC 2400V
1~2sec(LINE to LINE).
Insulation Resistance: DC 500V, 100Mohm Min
(LINE to LINE).
Temperature Rise: 40°C Max. at Rated Current.

ELECTRICAL CHARACTERISTICS

Part Number		Inductance (mH)Min	Rated current (A)Max	Power Range (W)
FACCF19V-453Y0R5	FACCF19H-453Y0R5	45	0.5	40
FACCF19V-403Y0R6	FACCF19H-403Y0R6	40	0.6	48
FACCF19V-353Y0R65	FACCF19H-353Y0R65	35	0.65	52
FACCF19V-303Y0R7	FACCF19H-303Y0R7	30	0.7	56
FACCF19V-253Y0R9	FACCF19H-253Y0R9	25	0.9	72
FACCF19V-253Y1R1	FACCF19H-253Y1R1	25	1.1	88
FACCF19V-223Y0R9	FACCF19H-223Y0R9	22	0.9	72
FACCF19V-203Y1R2	FACCF19H-203Y1R2	20	1.2	96
FACCF19V-203Y1R5	FACCF19H-203Y1R5	20	1.5	120
FACCF19V-183Y1R1	FACCF19H-183Y1R1	18	1.1	88
FACCF19V-153Y1R25	FACCF19H-153Y1R25	15	1.25	100
FACCF19V-153Y1R5	FACCF19H-153Y1R5	15	1.5	120
FACCF19V-123Y1R8	FACCF19H-123Y1R8	12	1.8	144
FACCF19V-103Y2R25	FACCF19H-103Y2R25	10	2.25	180

Rated Inductance L_RM measured at 1KHz, 250mV, 20°C

TECHNICAL INFORMATION



DIMENSIONS:mm