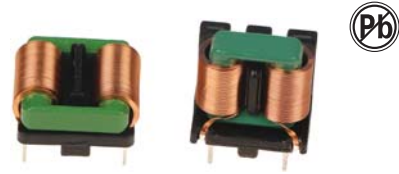


FRAME CORE CHOKES FACCF15V&H SERIES



FEATURES:

Small size, Lowleakage flux due to 0 SQ core.
Low stray capacitance, High attenuation of a wide frequency band.
There is no danger of the layer short for the single-layer rolling.
High attenuation to the normal mode noise.
Winding time 90% down.
High inductance was achieved by the ferrite mixing and the baking technology that developed originally.

SPECIFICATION:

Rated Voltage: AC/DC 250V.
Operating Temperature Range: -40°C ~ 120°C
Withstanding Voltage: AC 2000V 60sec or AC 2400V
1 ~ 2sec(LINE to LINE).
Insulation Resistance: DC 500V, 100Mohm Min
(LINE to LINE).
Temperature Rise: 40°C Max. at Rated Current.

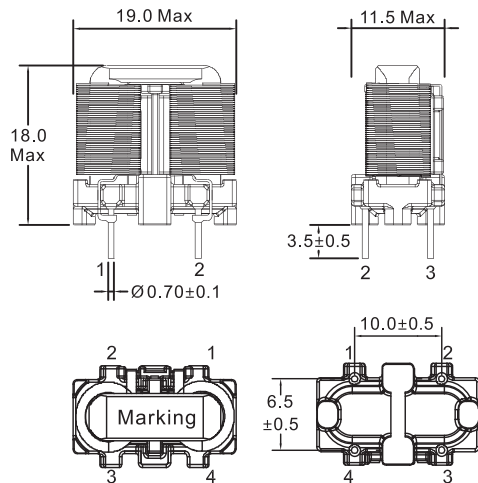
ELECTRICAL CHARACTERISTICS

Part Number		Inductance (mH)Min	Rated current (A)Max	Power Range (W)
FACCF15V-353Y0R5	FACCF15H-353Y0R5	35	0.5	40
FACCF15V-303Y0R6	FACCF15H-303Y0R6	30	0.6	48
FACCF15V-253Y0R65	FACCF15H-253Y0R65	25	0.65	52
FACCF15V-223Y0R7	FACCF15H-223Y0R7	22	0.7	56
FACCF15V-203Y0R9	FACCF15H-203Y0R9	20	0.9	72
FACCF15V-203Y1R0	FACCF15H-203Y1R0	20	1.0	88
FACCF15V-183Y1R2	FACCF15H-183Y1R2	18	1.2	72
FACCF15V-153Y1R25	FACCF15H-153Y1R25	15	1.25	96
FACCF15V-153Y1R5	FACCF15H-153Y1R5	15	1.5	120
FACCF15V-802Y1R5	FACCF15H-802Y1R5	8.0	1.5	120
FACCF15V-602Y1R8	FACCF15H-602Y1R8	6.0	1.8	144

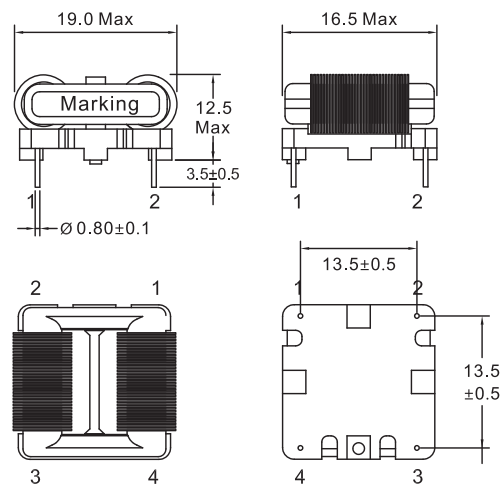
Rated Inductance L R M easured at 1KHz, 250mV, 20°C

TECHNICAL INFORMATION

V-type



H-type



DIMENSIONS:mm