

FRAME CORE CHOKES FAPK17 001 SERIES



FEATURES:

Rated voltage[V]: 85 to 265VAC, 50/60Hz.
 Insulation resistance: 100m Ω M in at 500DC.
 Turns ratio: N1:N2=1:1 \pm 2%.
 Test Frequency Response: 10KHz, 100mV.
 Hi-Pot: Pri-Sec: 1500VAC/1mA/60Second.
 Operating temperature range: -40 $^{\circ}$ C to +105 $^{\circ}$ C.
 Temperature Rise: 40 $^{\circ}$ C Max.
 All parts meet ROHS compliance.
 Weight: approximately 11.5g.

PRODUCT IDENTIFICATION:

$\frac{PK}{a} \frac{17}{b} \frac{103}{c} \frac{001}{d}$

a: Series name

b: Product dimensions

c: Inductance Value [101: 100uH; 102: 1000uH; 103: 10000uH]

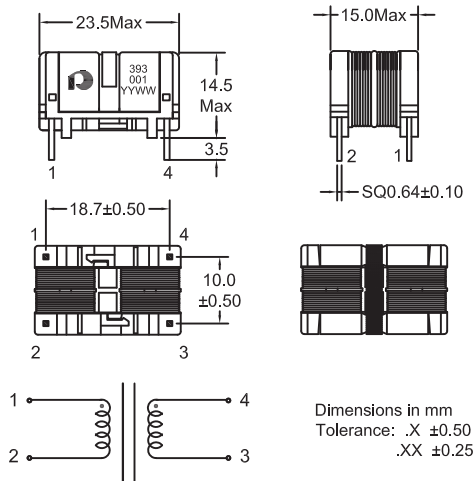
d: Classification of air gap in magnetic core

ELECTRICAL CHARACTERISTICS

Part Number	Inductance [mH]+50%-30%	Leakage Inductance [uH]Typ	Saturation Current[A] >90%LOA(tie2+3)	D.C.Resistance [m Ω] Typ at 20 $^{\circ}$ C	Rated current [A]
FAPK17-104001	100	3000	0.6	3000	0.3
FAPK17-823001	82	2400	0.7	2200	0.35
FAPK17-473001	47	1400	0.9	1280	0.45
FAPK17-393001	39	1200	1.0	1000	0.5
FAPK17-333001	33	985	1.2	800	0.6
FAPK17-253001	25	750	1.5	670	0.65
FAPK17-203001	20	585	1.8	440	0.75
FAPK17-153001	15	455	2.0	350	0.85
FAPK17-103001	10	295	2.5	235	1.0
FAPK17-682001	6.8	195	3.5	155	1.3
FAPK17-472001	4.7	135	4.0	115	1.6
FAPK17-332001	3.3	96	4.5	78	2.0

TECHNICAL INFORMATION

DIMENSIONS:MM



CURRENT[ADC]

